



Parliamentarians *for Global Action*
Parlamentarios para la Acción Global
Action Mondiale des Parlementaires
برلمانيون من أجل التحرك العالمي

The Role of Parliamentarians in Promoting Nuclear and Radiological Security – The Way Forward

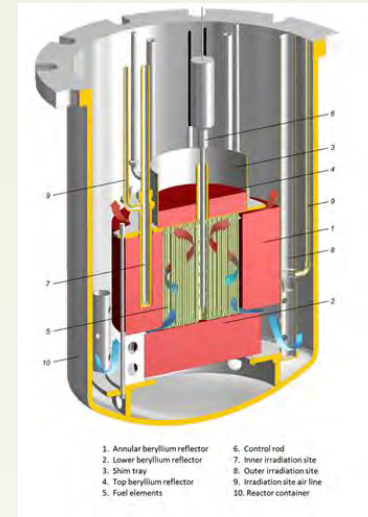
September 2nd, 2021

Florian Delsert, Program Associate, International Peace and Security Program, PGA



Nuclear/Radiological Security in the Caribbean Region

- [The Caribbean region hosts a nuclear reactor](#), in Jamaica (SLOWPOKE-2 Research Reactor (JM-1)) since 1984.
- [In 1999, the Heads of Government of the Caribbean Community made a statement against the use of the Caribbean Sea for the transshipment of highly toxic nuclear materials.](#)
- [UNODC Supports CARICOM countries to Act against Risks of Nuclear Terrorism](#) – Feb. 2020



Possible Action Points for Parliamentarians



Parliamentarians for Global Action
Parlamentarios para la Acción Global
Action Mondiale des Parlementaires
برلمانيون من أجل التحرك العالمي

- *Raise the matter of Ratification of the International Convention for the Suppression of Acts of Nuclear Terrorism (ICSANT), the Convention for the Physical Protection of Nuclear Material (CPPNM) and Its Amendment (ACPPNM), as appropriate, with relevant Government Ministries - encourage ratification of these treaties.*
- *Raise this same matter within your respective Parliaments, also in relevant Committees, in order to generate greater/broader awareness and political will in terms of moving forward with treaty ratification, once your Governments transmit these treaties to your Parliaments*
- *Consider writing an article in a suitable media outlet on this subject matter, also to raise awareness on the urgency and importance of this issue among the wider public*

Possible Action Points for Parliamentarians



Parliamentarians for Global Action
Parlamentarios para la Acción Global
Action Mondiale des Parlementaires
برلمانيون من أجل التحرك العالمي

- *Consider exploring the possibility of conducting a TV or Radio interview for the same reason.*
- *Consider mentioning this Webinar, its subject matter and your participation in any social media outlets that you may use in your day to day political activities such as Facebook or Twitter*
- *Consider outreaching to experts in your own capitals, including individuals responsible for Nuclear and Radiological matters in relevant Government Ministries/Agencies who can also advise further on the situation within your own respective countries*
- *For further advise on effective parliamentary diplomacy/advocacy options, consider staying in contact with PGA and/or outreach also to the experts from the different relevant organizations who have presented at this Webinar today*

Women, Peace and Security Agenda



Parliamentarians for Global Action
Parlamentarios para la Acción Global
Action Mondiale des Parlementaires
برلمانيون من أجل التحرك العالمي

- Nuclear/radiological materials have a greater impact on women
 - On the physical health
 - On the psychological health
 - Social stigma
- **Resolution 1325 (2000)** - *Addresses the impact of conflict on women*
- **Resolution 1820 (2008)** - *Recognizes conflict-related sexual violence as a tactic of war*
- **Resolution 1888/9 (2009)** - *Provides for more effective implementation of Resolution 1820, including by establishing a Special Representative of the Secretary-General on Sexual Violence in Conflict*
- **Resolution 1960 (2010)** - *Focuses on post-conflict peacebuilding, includes a strategy for increasing the number of women participating in peace talks*

Women, Peace and Security Agenda



Parliamentarians for Global Action
Parlamentarios para la Acción Global
Action Mondiale des Parlementaires
برلمانيون من أجل التحرك العالمي

- **Resolution 2106 (2013)** - Reaffirms the earlier commitments
- **Resolution 2122 (2013)** - Sets in place stronger measures to improve women's participation and representation in conflict resolution
- **Resolution 2242 (2015)** - On women's roles in countering violent extremism and terrorism and improved Security Council working methods on women, peace and security CEDAW General Recommendation No. 30 (2015).
- **Resolution 2272 (2016)** - Provides measures to address sexual exploitation and abuse in peace operations.
- **Resolution 2467 (2019)** - Calls on parties to conflicts around the world to put an end to sexual violence immediately, to prevent such acts in the future, and introduces accountability measures for perpetrators.



Parliamentarians for Global Action
Parlamentarios para la Acción Global
Action Mondiale des Parlementaires
برلمانيون من أجل التحرك العالمي

We welcome your questions and comments.

THANK YOU

**The Role of Parliamentarians in Promoting Nuclear and Radiological
Security – The Way Forward**